



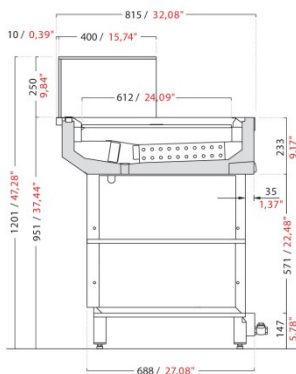
DROP-IN DELICE

VETRINA FREDDO VENTILATO / VENTILATED COLD DISPLAY CASE

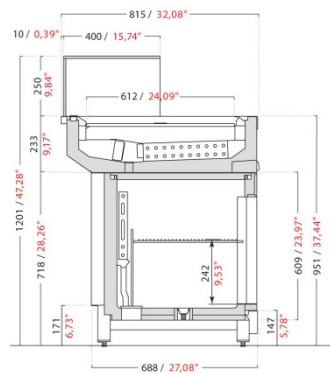


CARATTERISTICHE TECNICHE	TECHNICAL SPECIFICATIONS
<ul style="list-style-type: none"> - struttura portante inferiore in tubolare d'acciaio verniciato con polveri epossidiche a forno 180° con elementi di irrigidimento, piedini regolabili - scocca monoblocco schiumata con poliuretano a bassa densità con spessore minimo di 50 mm. - parti a vista in acciaio inox AISI 304 finitura Scotch Brite - sistema anticondensa con cavo caldo inserito all'interno di un tubo in rame posto a contatto della cornice perimetrale della vasca - piano espositivo costituito da piani amovibili in acciaio inox finitura Scotch Brite incassati di 30 mm rispetto al bordo perimetrale e ulteriormente ribassabili di altre 2 posizioni di 20 mm ciascuna, per consentire di esporre e conservare adeguatamente merce di altezza diversa 	<ul style="list-style-type: none"> - tubular steel frame, painted with epoxy powders at 180°C with stiffening elements and adjustable feet - monobloc foam structure insulated - 50 mm/1.97" minimum thick - with low density injected polyurethane (40 Kg/m3) - all visible parts are in AISI 304 stainless steel with Scotch-Brite finish - a hot cable is arranged inside a copper tube placed in contact with the perimetral frame to avoid the forming of condensation - the display surface consists of removable tops in stainless steel with Scotch-Brite finish; these tops are built inside for a distance of 30 mm/1.18" with respect to the perimetral rim and with the possibility of being further lowered in 2 other positions of 20 mm / 0.79" each, and this in order to display and preserve properly the merchandise of different heights
<ul style="list-style-type: none"> - disponibile in 5 moduli lineari e 2 terminali ottimizzati per contenere da 2 fino a 6 vassoi commerciali 600x400 mm - castello vetri CHIUSO realizzato in vetro Float termosaldato, illuminazione a LED e chiusura lato operatore con scorrevoli in plexiglas - oppure castello vetri APERTO realizzato con il solo vetro Float termosaldato - refrigerazione ventilata con gruppo ermetico monofase a capillare, in caso di unità condensatrice a bordo; a valvola in caso di unità condensatrice esterna - sbrinatorio a tempo - pannello comandi elettronico con ripetitore digitale di temperatura - versione con cella di riserva - temperatura di esercizio +3°C/+8°C - test a 25°C e 60%U.R. 	<ul style="list-style-type: none"> - available in 5 linear and 2 end units- optimized in order to contain from 2 up to 6 trays 600x400 mm /23.62"x15.75" - CLOSED glass front with sealed Float glass, LED lights and rear closure with plexiglass sliding doors - OPEN glass front with sealed Float glass only - ventilated refrigeration system with hermetic compressor, capillary tube system in case of incorporated condensing unit, or valve system in case of remote condensing unit - defrosting set by a timer - electronic control panel on the operator's side with digital temperature repeater - version with cold storage unit - working temperature +3°C/+8°C – 37.4°F/46.4°F. - tested at 25°C/77°F and 60% R.H

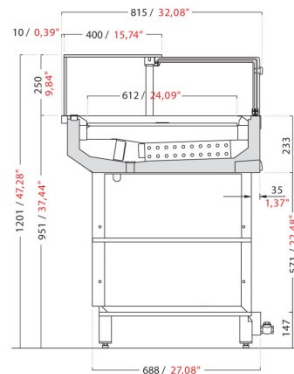
SEZIONI SECTION VIEWS



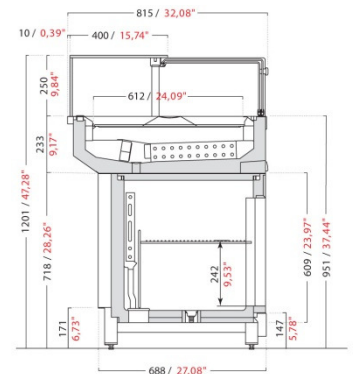
Vetrina DROP-IN DELICE con castello vetri APERTO
DROP-IN DELICE display case with OPEN glass front



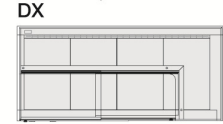
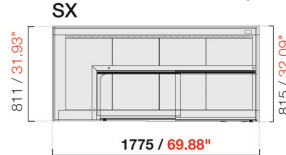
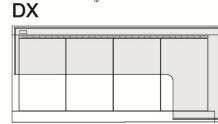
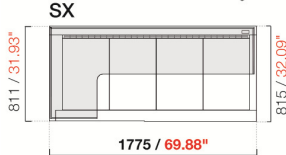
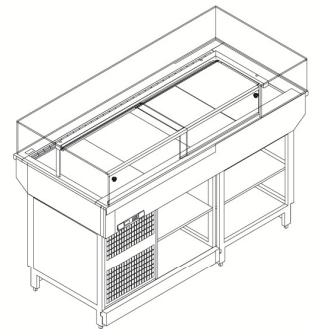
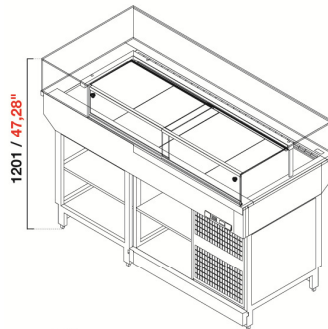
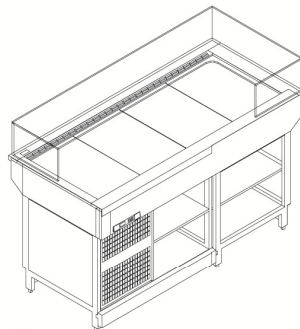
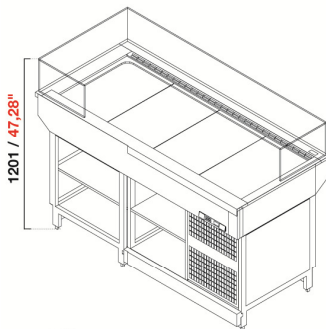
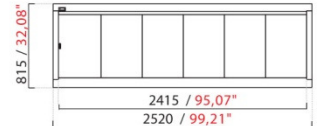
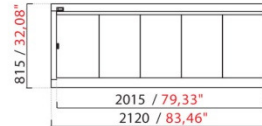
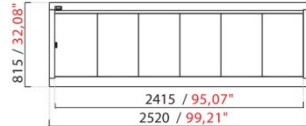
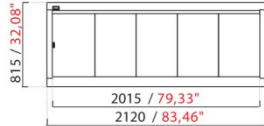
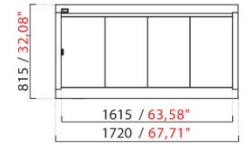
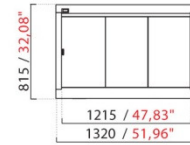
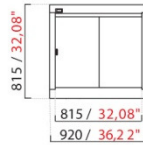
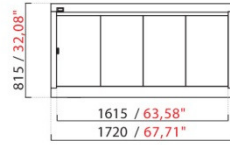
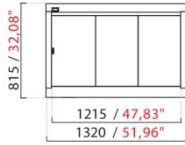
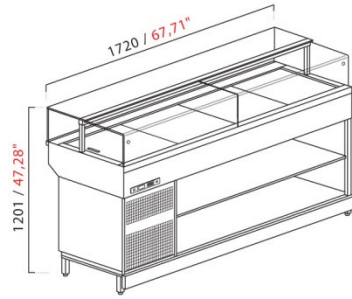
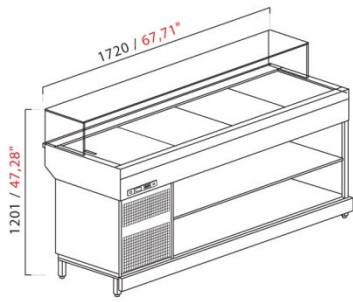
Vetrina DROP-IN DELICE con cella di riserva e castello vetri APERTO
DROP-IN DELICE display case with cold storage unit and OPEN glass front



Vetrina DROP-IN DELICE con castello vetri CHIUSO
DROP-IN DELICE display case with CLOSED glass front



Vetrina DROP-IN DELICE con cella di riserva e castello vetri CHIUSO
DROP-IN DELICE display case with cold storage unit and CLOSED glass front




DIMENSIONI, PESO E IMBALLO DIMENSIONS, WEIGHT AND PACKAGING


MODELLO MODEL	LUNGHEZZA LENGTH		PROFONDITÀ DEPTH		ALTEZZA HEIGHT		PESO WEIGHT		DIMENSIONE IMBALLO PACKAGING DIMENSIONS		PESO con imballo CRATED WEIGHT	
	mm	in	mm	in	mm	in	kg	lb	mm	in	kg	lb
L 920	*920	*36.22"	815	32.08"	1201	47.28"	80	176	1154x1099xH1584	45.4"x43.3"xH62.4"	126	278
L 1320	*1320	*51.96"	815	32.08"	1201	47.28"	115	254	1654x1099xH1584	65.1"x43.3"xH62.4"	178	392
L 1720	*1720	*67.71"	815	32.08"	1201	47.28"	150	331	2154x1099xH1584	84.8"x43.3"xH62.4"	230	507
L 2120	*2120	83.46"	815	32.08"	1201	47.28"	185	408	2654x1099xH1584	104.5"x43.3"xH62.4"	281	619
L 2520	*2520	99.21"	815	32.08"	1201	47.28"	220	485	2654x1099xH1584	104.5"x43.3"xH62.4"	316	697
TERM**	*1775	*69.88"	815	32.08"	1201	47.28"	160	353	2154x1099xH1584	84.8"x43.3"xH62.4"	240	529

*Misure senza fianchi (1 fianco in metallo "SLIM" - 3 mm; 1 fianco in legno - 20 mm)


*Side panels not included (1 metal side panel "SLIM" - 3 mm/0.11"; 1 wooden side panel - 20 mm/0.79")


**Modulo Terminale End Unit

	CON MOTORE A BORDO WITH BUILT-IN AIR-COOLED CONDENSING UNIT				TENSIONE E FREQUENZA VOLTAGE AND FREQUENCY				
					MONOFASE - V/Ph/Hz 230/1/50				
MODELLO MODEL	POTENZA ASSORBITA CURRENT CONSUMPTION		RESA COOLING CAPACITY		CLASSE CLIMATICA CLIMATE CLASS			TEMPERATURA DI ESERCIZIO OPERATING TEMPERATURE	
	monofase 230/1/50		monofase 230/1/50		°C	°F	U.R. R.H.	°C	°F
	W	A	W/h -10°C	BTU/h +14°F					
L 920	628	3.70	817	2789	25°C	77°F	60%	+3°C;+8°C	+37.4°F; +46.4°F
L 1320	662	3.84	817	2789	25°C	77°F	60%	+3°C;+8°C	+37.4°F; +46.4°F
L 1720	936	5.59	1096	3742	25°C	77°F	60%	+3°C;+8°C	+37.4°F; +46.4°F
L 2120	972	5.74	1096	3742	25°C	77°F	60%	+3°C;+8°C	+37.4°F; +46.4°F
L 2520	1166	5.07	1315	4489	25°C	77°F	60%	+3°C;+8°C	+37.4°F; +46.4°F
TERM	936	5.59	1096	3742	25°C	77°F	60%	+3°C;+8°C	+37.4°F; +46.4°F
L 1720 con cella with storage unit	936	5.59	1096	3742	25°C	77°F	60%	+3°C;+8°C	+37.4°F; +46.4°F
L 2120 con cella with storage unit	972	5.74	1096	3742	25°C	77°F	60%	+3°C;+8°C	+37.4°F; +46.4°F
L 2520 con cella with storage unit	1166	5.07	1315	4489	25°C	77°F	60%	+3°C;+8°C	+37.4°F; +46.4°F

	CON MOTORE A BORDO WITH BUILT-IN AIR-COOLED CONDENSING UNIT				TENSIONE E FREQUENZA VOLTAGE AND FREQUENCY				
					MONOFASE - V/Ph/Hz 220/1/60				
MODELLO MODEL	POTENZA ASSORBITA CURRENT CONSUMPTION		RESA COOLING CAPACITY		CLASSE CLIMATICA CLIMATE CLASS			TEMPERATURA DI ESERCIZIO OPERATING TEMPERATURE	
	monofase 220/1/60		monofase 220/1/60		°C	°F	U.R. R.H.	°C	°F
	W	A	W/h -10°C	BTU/h +14°F					
L 920	753	4.90	876	2990	25°C	77°F	60%	+3°C;+8°C	+37.4°F; +46.4°F
L 1320	787	5.04	876	2990	25°C	77°F	60%	+3°C;+8°C	+37.4°F; +46.4°F
L 1720	874	4.15	1032	3523	25°C	77°F	60%	+3°C;+8°C	+37.4°F; +46.4°F
L 2120	928	4.30	1032	3523	25°C	77°F	60%	+3°C;+8°C	+37.4°F; +46.4°F
L 2520	1166	5.13	1186	4050	25°C	77°F	60%	+3°C;+8°C	+37.4°F; +46.4°F
TERM	874	4.15	1032	3523	25°C	77°F	60%	+3°C;+8°C	+37.4°F; +46.4°F
L 1720 con cella with storage unit	874	4.15	1032	3523	25°C	77°F	60%	+3°C;+8°C	+37.4°F; +46.4°F
L 2120 con cella with storage unit	928	4.30	1032	3523	25°C	77°F	60%	+3°C;+8°C	+37.4°F; +46.4°F
L 2520 con cella with storage unit	1166	5.13	1186	4050	25°C	77°F	60%	+3°C;+8°C	+37.4°F; +46.4°F

DATI TECNICI TECHNICAL SPECIFICATIONS
Illuminazione inclusa LED Lighting included

	CON MOTORE ENTRO 20 METRI WITH CONDENSING UNIT WITHIN 20 METERS				TENSIONE E FREQUENZA VOLTAGE AND FREQUENCY				
					MONOFASE - V/Ph/Hz 230/1/50				
MODELLO MODEL	POTENZA ASSORBITA CURRENT CONSUMPTION		RESA COOLING CAPACITY		CLASSE CLIMATICA CLIMATE CLASS			TEMPERATURA DI ESERCIZIO OPERATING TEMPERATURE	
	monofase 230/1/50		monofase 230/1/50		°C	°F	U.R. R.H.	°C	°F
	W	A	W/h -10°C	BTU/h +14°F					
L 920	860	5.26	1096	3742	25°C	77°F	60%	+3°C;+8°C	+37.4°F; +46.4°F
L 1320	920	4.57	1315	4489	25°C	77°F	60%	+3°C;+8°C	+37.4°F; +46.4°F
L 1720	1168	5.84	1448	4943	25°C	77°F	60%	+3°C;+8°C	+37.4°F; +46.4°F
L 2120	1204	5.99	1448	4943	25°C	77°F	60%	+3°C;+8°C	+37.4°F; +46.4°F
L 2520	1242	6.16	1448	4943	25°C	77°F	60%	+3°C;+8°C	+37.4°F; +46.4°F
TERM	1168	5.84	1448	4943	25°C	77°F	60%	+3°C;+8°C	+37.4°F; +46.4°F
L 1320 con cella with storage unit	920	4.57	1315	4489	25°C	77°F	60%	+3°C;+8°C	+37.4°F; +46.4°F
L 1720 con cella with storage unit	1168	5.84	1448	4943	25°C	77°F	60%	+3°C;+8°C	+37.4°F; +46.4°F
L 2120 con cella with storage unit	1204	5.99	1448	4943	25°C	77°F	60%	+3°C;+8°C	+37.4°F; +46.4°F
L 2520 con cella with storage unit	1242	6.16	1448	4943	25°C	77°F	60%	+3°C;+8°C	+37.4°F; +46.4°F

	CON MOTORE ENTRO 20 METRI WITH CONDENSING UNIT WITHIN 20 METERS				TENSIONE E FREQUENZA VOLTAGE AND FREQUENCY				
					MONOFASE - V/Ph/Hz 220/1/60				
MODELLO MODEL	POTENZA ASSORBITA CURRENT CONSUMPTION		RESA COOLING CAPACITY		CLASSE CLIMATICA CLIMATE CLASS			TEMPERATURA DI ESERCIZIO OPERATING TEMPERATURE	
	monofase 220/1/60		monofase 220/1/60		°C	°F	U.R. R.H.	°C	°F
	W	A	W/h -10°C	BTU/h +14°F					
L 920	798	3.82	1032	3523	25°C	77°F	60%	+3°C;+8°C	+37.4°F; +46.4°F
L 1320	993	4.82	1186	4050	25°C	77°F	60%	+3°C;+8°C	+37.4°F; +46.4°F
L 1720	1227	7.70	1470	5019	25°C	77°F	60%	+3°C;+8°C	+37.4°F; +46.4°F
L 2120	1263	7.85	1470	5019	25°C	77°F	60%	+3°C;+8°C	+37.4°F; +46.4°F
L 2520	1301	8.02	1470	5019	25°C	77°F	60%	+3°C;+8°C	+37.4°F; +46.4°F
TERM	1227	7.70	1470	5019	25°C	77°F	60%	+3°C;+8°C	+37.4°F; +46.4°F
L 1320 con cella with storage unit	993	4.82	1186	4050	25°C	77°F	60%	+3°C;+8°C	+37.4°F; +46.4°F
L 1720 con cella with storage unit	1227	7.70	1470	5019	25°C	77°F	60%	+3°C;+8°C	+37.4°F; +46.4°F
L 2120 con cella with storage unit	1263	7.85	1470	5019	25°C	77°F	60%	+3°C;+8°C	+37.4°F; +46.4°F
L 2520 con cella with storage unit	1301	8.02	1470	5019	25°C	77°F	60%	+3°C;+8°C	+37.4°F; +46.4°F



DROP-IN DELICE



PIANO DA INCASSO FREDDO VENTILATO / VENTILATED COLD BUILT-IN TOP

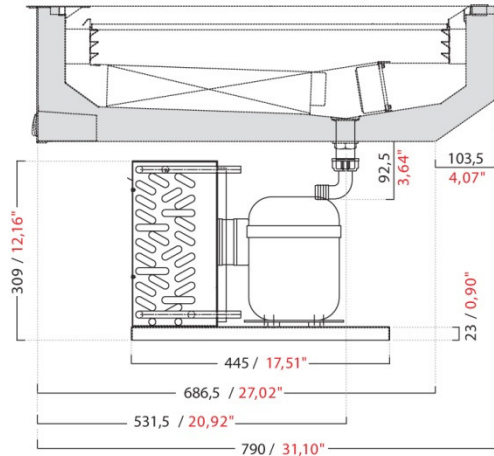
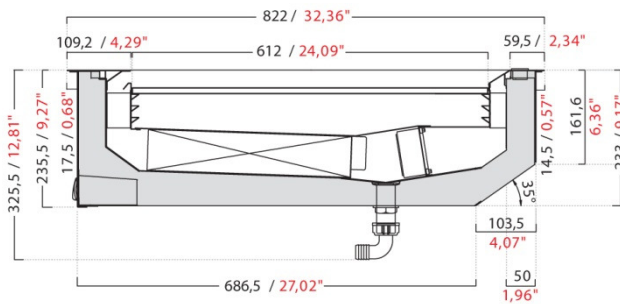
CARATTERISTICHE TECNICHE

- scocca monoblocco schiumata con poliuretano a bassa densità con spessore minimo di 50 mm.
- parti a vista in acciaio inox AISI 304 finitura Scotch Brite
- sistema anticondensa con cavo caldo inserito all'interno di un tubo in rame posto a contatto della cornice perimetrale della vasca
- piano espositivo costituito da piani amovibili in acciaio inox finitura Scotch Brite incassati di 30 mm rispetto al bordo perimetrale e ulteriormente ribassabili di altre 2 posizioni di 20 mm ciascuna, per consentire di esporre e conservare adeguatamente merce di altezza diversa
- cornice perimetrale in acciaio inox spessa 1 mm
- moduli disponibili in 5 lunghezze ottimizzate per contenere da 2 fino a 6 vassoi commerciali 600x400 mm
- refrigerazione ventilata con gruppo ermetico monofase a capillare, in caso di unità condensatrice a bordo; a valvola in caso di unità condensatrice esterna
- sbrinamento a tempo
- pannello comandi elettronico con ripetitore digitale di temperatura
- temperatura di esercizio +3°C/+8°C
- test a 25°C e 60%U.R.

TECHNICAL SPECIFICATIONS

- monobloc foam structure insulated - 50 mm/1.97" minimum thick - with low density injected polyurethane (40 Kg/m3)
- all visible parts are in AISI 304 stainless steel with Scotch-Brite finish
- a hot cable is arranged inside a copper tube placed in contact with the perimetral frame to avoid the forming of condensation
- the display surface consists of removable tops in stainless steel with Scotch-Brite finish; these tops are built inside for a distance of 30 mm/1.18" with respect to the perimetral rim and with the possibility of being further lowered in 2 other positions of 20 mm/0.79" each, and this in order to display and preserve properly the merchandise of different heights
- perimetral frame in stainless steel, 1 mm/0.04" thick
- DROP-IN DELICE counters are available in 5 optimized lengths in order to contain from 2 up to 6 trays 600x400 mm/23.62"x15.75"
- ventilated refrigeration system with hermetic compressor, capillary tube system in case of incorporated condensing unit, or valve system in case of remote condensing unit
- defrosting set by a timer
- electronic control panel on the operator's side with digital temperature repeater
- working temperature +3°C/+8°C; 37.4°F/46.4°F.
- tested at 25°C/77°F and 60% R.H

SEZIONE SECTION VIEW




DROP-IN DELICE freddo ventilato
Ventilated cold DROP-IN DELICE


DROP-IN DELICE freddo ventilato con motore collegato
Ventilated cold DROP-IN DELICE with connected condensing unit


DIMENSIONI, PESO E IMBALLO DIMENSIONS, WEIGHT AND PACKAGING


MODELLO MODEL	LUNGHEZZA LENGTH		PROFONDITÀ DEPTH		PESO WEIGHT		DIMENSIONE IMBALLO PACKAGING DIMENSIONS		PESO con imballo CRATED WEIGHT	
	mm	in	mm	in	kg	lb	mm	in	kg	lb
L 950	950	37.40"	822	32.36"	40	88	1124x911xH802	44.3"x35.9"xH31.6"	77	170
L 1350	1350	53.14"	822	32.36"	60	132	1624x911xH802	63.9"x35.9"xH31.6"	111	245
L 1750	1750	68.89"	822	32.36"	80	176	2124x911xH802	83.6"x35.9"xH31.6"	144	317
L 2150	2150	84.64"	822	32.36"	100	220	2624x911xH802	103.3"x35.9"xH31.6"	178	392
L 2550	2550	100.39"	822	32.36"	120	265	2624x911xH802	103.3"x35.9"xH31.6"	198	437

DATI TECNICI TECHNICAL SPECIFICATIONS

	UC CON MOTORE COLLEGATO WITH AIR-COOLED CONDENSING UNIT				TENSIONE E FREQUENZA VOLTAGE AND FREQUENCY				
					MONOFASE - V/Ph/Hz 230/1/50				
MODELLO MODEL	POTENZA ASSORBITA CURRENT CONSUMPTION		RESA COOLING CAPACITY		CLASSE CLIMATICA CLIMATE CLASS			TEMPERATURA DI ESERCIZIO OPERATING TEMPERATURE	
	monofase 230/1/50		monofase 230/1/50		°C	°F	U.R. R.H.	°C	°F
	W	A	W/h	-30°C					
L 950	610	3.62	817	2789	25°C	77°F	60%	+3°C; +8°C	+37.4°F; 46.4°F
L 1350	636	3.73	817	2789	25°C	77°F	60%	+3°C; +8°C	+37.4°F; 46.4°F
L 1750	902	5.44	1096	3742	25°C	77°F	60%	+3°C; +8°C	+37.4°F; 46.4°F
L 2150	930	5.56	1096	3742	25°C	77°F	60%	+3°C; +8°C	+37.4°F; 46.4°F
L 2550	1116	4.85	1315	4489	25°C	77°F	60%	+3°C; +8°C	+37.4°F; 46.4°F

	UC CON MOTORE COLLEGATO WITH AIR-COOLED CONDENSING UNIT				TENSIONE E FREQUENZA VOLTAGE AND FREQUENCY				
					MONOFASE - V/Ph/Hz 220/1/60				
MODELLO MODEL	POTENZA ASSORBITA CURRENT CONSUMPTION		RESA COOLING CAPACITY		CLASSE CLIMATICA CLIMATE CLASS			TEMPERATURA DI ESERCIZIO OPERATING TEMPERATURE	
	monofase 220/1/60		monofase 220/1/60		°C	°F	U.R. R.H.	°C	°F
	W	A	W/h	-30°C					
L 950	735	4.82	876	2990	25°C	77°F	60%	+3°C; +8°C	+37.4°F; 46.4°F
L 1350	761	4.93	876	2990	25°C	77°F	60%	+3°C; +8°C	+37.4°F; 46.4°F
L 1750	840	4.00	1032	3523	25°C	77°F	60%	+3°C; +8°C	+37.4°F; 46.4°F
L 2150	886	4.12	1032	3523	25°C	77°F	60%	+3°C; +8°C	+37.4°F; 46.4°F
L 2550	1116	4.91	1186	4050	25°C	77°F	60%	+3°C; +8°C	+37.4°F; 46.4°F

	CON MOTORE REMOTO ENTRO 20 METRI WITH CONDENSING UNIT WITHIN 20 METERS				TENSIONE E FREQUENZA / VOLTAGE AND FREQUENCY				
					MONOFASE - V/Ph/Hz 230/1/50				
MODELLO MODEL	POTENZA ASSORBITA CURRENT CONSUMPTION		RESA COOLING CAPACITY		CLASSE CLIMATICA CLIMATE CLASS			TEMPERATURA DI ESERCIZIO OPERATING TEMPERATURE	
	monofase 230/1/50		monofase 230/1/50		°C	°F	U.R. R.H.	°C	°F
	W	A	W/h	-10°C					
L 950	842	5.18	1096	3742	25°C	77°F	60%	+3°C; +8°C	+37.4°F; 46.4°F
L 1350	894	4.46	1315	4489	25°C	77°F	60%	+3°C; +8°C	+37.4°F; 46.4°F
L 1750	1134	5.69	1448	4943	25°C	77°F	60%	+3°C; +8°C	+37.4°F; 46.4°F
L 2150	1162	5.81	1448	4943	25°C	77°F	60%	+3°C; +8°C	+37.4°F; 46.4°F
L 2550	1.192	5.94	1448	4943	25°C	77°F	60%	+3°C; +8°C	+37.4°F; 46.4°F

	CON MOTORE REMOTO ENTRO 20 METRI WITH CONDENSING UNIT WITHIN 20 METERS				TENSIONE E FREQUENZA / VOLTAGE AND FREQUENCY				
					MONOFASE - V/Ph/Hz 220/1/60				
MODELLO MODEL	POTENZA ASSORBITA CURRENT CONSUMPTION		RESA COOLING CAPACITY		CLASSE CLIMATICA CLIMATE CLASS			TEMPERATURA DI ESERCIZIO OPERATING TEMPERATURE	
	monofase 220/1/60		monofase 220/1/60		°C	°F	U.R. R.H.	°C	°F
	W	A	W/h	-10°C					
L 950	780	3.74	1032	3523	25°C	77°F	60%	+3°C; +8°C	+37.4°F; 46.4°F
L 1350	967	4.71	1186	4050	25°C	77°F	60%	+3°C; +8°C	+37.4°F; 46.4°F
L 1750	1193	7.55	1470	5019	25°C	77°F	60%	+3°C; +8°C	+37.4°F; 46.4°F
L 2150	1221	7.67	1470	5019	25°C	77°F	60%	+3°C; +8°C	+37.4°F; 46.4°F
L 2550	1251	7.80	1470	5019	25°C	77°F	60%	+3°C; +8°C	+37.4°F; 46.4°F